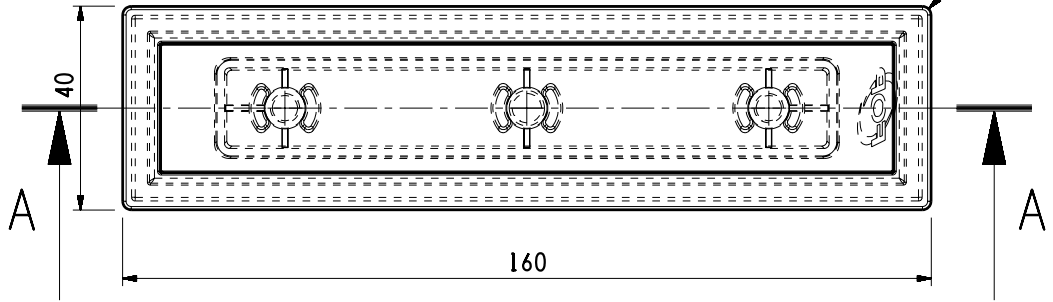
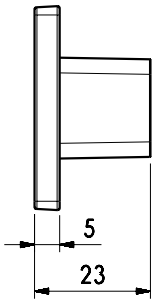


Sez. A-A



MATERIAL: ABS

| REV | POSITION | DESCRIPTION | DATE | NAME |
|-----|----------|-------------|------|------|
| | | | | |
| | | | | |

| | | | | | | |
|--|----------------------|----------------|--------------------------|-----------------------|----------------------|-------------------|
| | | UNIT mm | TYPE DRAFT DRAWING | CREATED BY **** | FORMAT A4 | REVISION *** |
| | FILENAME **** | CLIENT **** | | CREATION DATE **** | SCALE 1 : 1.5 | SHEET 1 / 1 |
| | ART. 1024 | | | PART CODE **** | | TOOL CODE **** |
| | PROJECT NAME **** | | | CHECKED BY **** | CHECKED_DATE **** | |